

# KÄRCHER

makes a difference

**VC 5**  
**VC 5 Premium**

中文 3  
English 15



59677510 (02/19)



## 目录

一般提示:	ZH	3
安全说明	ZH	4
设备说明	ZH	6
操作说明	ZH	8
保养与维护	ZH	10
故障帮助	ZH	10
产品规格 / 参数	ZH	12

### 一般提示:



在您第一次使用您的设备前，请先阅读并遵守本操作说明书为日后使用或其他所有者使用方便请妥善保管本说明书。

### 合乎规定的使用

本通用吸尘器供私人居家使用，不作商业用途。

对未按规定使用或错误操作可能造成的损坏，制造商将不承担责任。

本通用吸尘器只使用：

- 原装过滤器。
- 原配备件、附件或选装配件。


本通用吸尘器 **不** 适用于：

- 给人或动物吸尘。
- 抽吸：
  - 小生物（例如苍蝇、蜘蛛等）。
  - 有损健康、有锐边、热或灼热的物体。
  - 潮湿物体或液态物体。
  - 易燃或易爆材料和气体。

### 环境保护



包装材料可以回收利用。请不要把包装材料与普通垃圾放在一起处理，而应妥善安排回收。

 旧的设备中含有宝贵的可再利用的材料，应加以回收利用。请通过适当的

收集系统处理您的旧设备。

电气和电子设备通常包含使用不当或错误处理时可能对人身健康和环境带来潜在危险的组成部分。然而这些组成部分是设备正常运行所必需的。使用该符号标记的设备不得与生活垃圾一起处理。

### 清理滤网

过滤器由环保材料制成。

如果被抽吸进去的物质并非生活垃圾所禁止的物质，则可作为正常的生活垃圾进行清理。

### 内部材料提示 (REACH)

最新的内部材料信息请您在如下链接中查找：

[www.kaercher.com/REACH](http://www.kaercher.com/REACH)

### 质量保证

我们的质量保证条款适用于全球各分公司。在质量保证期内，如果您的产品发生了任何故障，我们都将为您提供免费维修，但是这种故障应当是由于机身材料或制造上的缺陷造成的。请您向经销商或者与您距离最近的经过授权的客户服务中心联系，提出保修请求，并提供相应的产品购买证明文件。

### 客户服务

我们的 KARCHER 分部将非常乐于解答您的提问，帮您处理产品质量问题。地址详见背面。

### 备件

只使用原厂配件和备件，它们能保证设备的安全和无故障运行。

有关配件和备件的信息请登录

[www.kaercher.com](http://www.kaercher.com)。

## 安全说明

- 请在使用本设备前先阅读操作说明书并特别注意安全技巧。
- 设备上相应的警告、指示标志为无风险的运行提供重要提示。
- 除了操作说明书里的提示外，还要遵守立法的一般安全和事故防范规定。

## 危险程度

### △ 危险

提示会导致人员重伤或死亡的直接威胁性危险。

### △ 警告

提示可能导致人员重伤或死亡的危险状况。

### △ 小心

提示可能导致轻度伤害的危险状况。

### 注意

提示可能产生财产损失的危险状况。

## 电气部件

### △ 危险

电击危险。

- 在进行所有维护和保养工作前关闭吸尘器并拔下电源线。
- 只允许接受过授权的客户服务员进行维修工作和在电气零部件上进行工作。
- 每次运行前都要测试一下带插头的电源连接导线是否有损坏。损坏的电源连接导线应立即让已授权的客户服务员/电气专业人员进行更换。不得使用带受损电源连接导线的设备。

- 不得使用研磨剂、玻璃或通用清洁剂！
- 不得将设备浸泡在水中！
- 不得将设备移动/运输到电源线上。
- 不要在锐边上拉动电源线且不要挤压电源线。
- 不要通过拉动电线将电源插头从插座上拔下。

### △ 警告

- 本设备只能根据 IEC 60364 由电工连接到电气接口。
- 设备只能连接到交流电上。电源电压必须跟型号标牌上给出的电压一致。
- 出于安全原因，原则上我们建议您通过故障电流保护开关（最大 30 mA）运行设备。
- 运行时从设备上完全拔出/展开电源线。

## 安全处理

### △ 危险

- 让儿童远离包装薄膜，否则会有窒息危险！

### △ 警告

- 儿童或未经指导的人员都不准操作本设备。
- 本设备不得让那些身体能力有限、感官能力弱或理解能力差或者缺乏经验和/或缺乏知识的人员使用，除非他们有专人监督或接受专人指导如何操作设备并了解其可能产生的危险。
- 超过 8 岁的孩子在有监护人监督或获得使用设备的指导并了解其可能产生的危险的前提下可以使用该设备。
- 儿童不得玩耍本设备。
- 照看好儿童，以确保他们不用设备玩耍。

- 儿童未受看管不得进行清洁和用户保养。
- △ 小心
- 若工休时间比较长，关闭设备总开关/设备开关和拔下电源插头。
- 设备运行期间不可无人看管。
- 在每次使用后和在每次清洁/保养前关闭设备并拔下电源插头。

#### 注意

- 如无过滤器不要吸入，否则设备可能受损。
- 保护设备免受外部天气、潮湿和受热的影响。

### 其他危险

#### △ 危险

存在爆炸危险！

- 禁止在有爆炸危险的区域内运行本设备。
- 不得抽吸易燃易爆的气体、液体和粉尘！
- 不得抽吸活性金属颗粒（比如铝、锰、锌）！
- 不得抽吸未经稀释的酸或碱！
- 不得抽吸正在燃烧或余烬未灭的物体！

#### △ 警告

存在受伤危险！

- 不得靠近头部使用吸嘴和吸管进行吸尘。

#### △ 小心

- 为了避免事故和伤害，搬运时要注意设备的重量（参见技术参数）。

### 稳定性

#### △ 小心

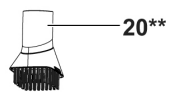
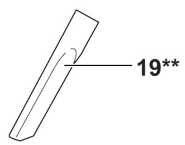
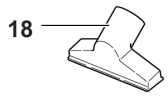
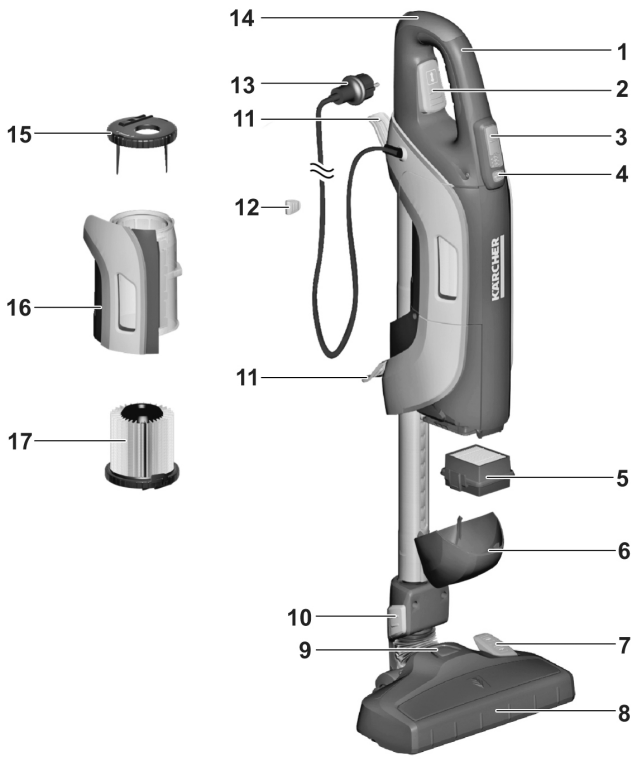
- 用设备或在设备上进行任何作业前要先确保设备的稳定性，以避免因设备翻倒而导致的事故或故障发生。

### 安全装置

#### △ 小心

- 安全装置用于保护使用者，不得更改或不让其发挥功能。

- 1 手柄
- 2 伸缩吸管调节钮
- 3 吸力调节器
- 4 开机 / 关机按钮
- 5 排气过滤器
- 6 排气过滤器盖板
- 7 切换键
- 8 底部喷头
- 9 停放位置
- 10 地面吸嘴解锁装置
- 11 电线挂钩
- 12 缆夹
- 13 带插头的电源电缆线
- 14 伸缩吸管清洁口
- 15 主过滤器封盖
- 16 过滤袋
- 17 带封盖的长效过滤器
- 18 软垫吸嘴
- 19 坡口喷嘴
- 20 家具毛刷



**\*\* VC 5 Premium**

## 设备调试

图 1 直至 5

### 电线挂钩

图 3

- 两个电线挂钩可折叠。
- 为了快速取下电线，可将下部电线挂钩向上旋转。

### 伸缩吸管设置

图 4

- 如果设备已放在停放位置上，需要先释放停放位置。
- 为此用脚踩住地板喷嘴，并且轻轻向后倾斜设备。
- 按住按键并且将吸管调整到所希望的长度。

### 抽吸功率设置

图 5

#### 提示

可通过推动吸力调节器单独设置所需的吸力。

- **1 挡和 2 挡：低功率范围**  
为抽吸敏感材料和轻质部件，诸如软垫家具、地毯转接头、枕头、窗帘等。
- **3 挡：中等功率范围**  
用于轻微脏污时的日常清洁以及短毛地毯的清洁。
- **4 挡：高功率范围**  
用于清洁稳固的地板、硬地面、长毛地毯以及严重脏污处的清洁。

**重要提示！** 一旦存在过热危险，吸尘器即自动关机。关闭吸尘器，拔下电源插头。请确保吸嘴或吸管不堵塞或者必须清空过滤器。排除故障后吸尘器至少冷却一个小时，随后吸尘器重新处于待机运行状态。

## 地面吸嘴设置

图 6

- 硬面
- 毛毯 / 地毯



## 使用配件

图 7

- **软垫吸嘴**：用于软垫家具、床垫、窗帘等的吸尘
- **缝隙吸嘴**：用于边角、接缝和暖气片的吸尘
- **家具毛刷**：用于护理性清洁家具和敏感性物品，例如：书籍等。

## 结束设备操作

图 8

### 运输、保管

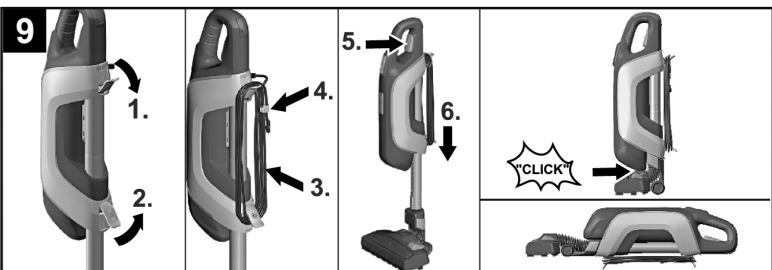
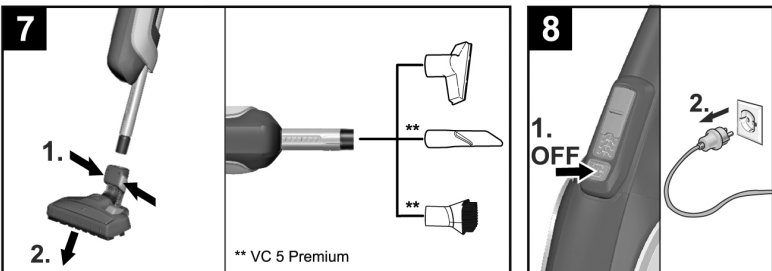
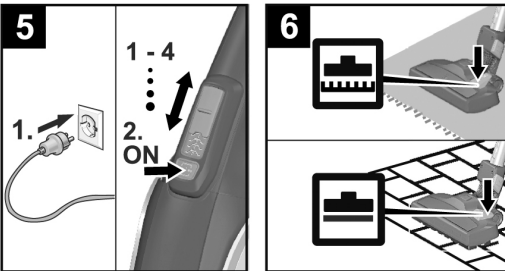
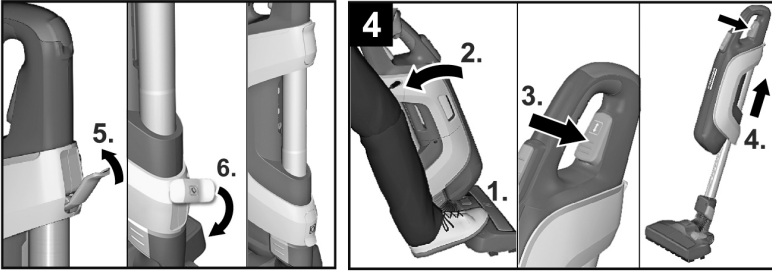
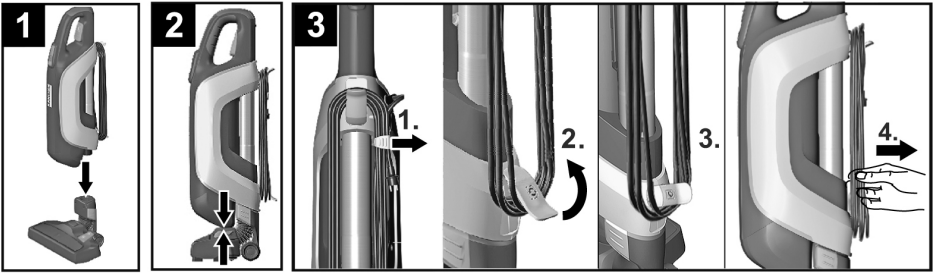
图 9

- 卷起电缆。
- 将处于停放位置的吸尘器（伸缩管未拉出）卡到地面吸嘴上。
- 也可直立放置设备，例如放在架子或箱子里。

#### 提示

在干燥的室内保管设备。





## 保养与维护

### 清空主过滤器

**推荐：** 在每次使用之后清空主过滤器。

其他步骤见：

图 10 直至 11

#### 提示

→ 旋开时，自动清洁过滤器并且移除脏污。

### 清空长效过滤器

**建议：** 最晚每 3 个月拆卸长效过滤器，进行清空并在必要时进行清洁。

#### 注意

抽吸量根据抽吸物可能会有所变化。

尤其遇到细微尘埃时，可能需要提前进行一次清洁。

为了保障良好的过滤效果，每隔两年更换新的长效过滤器。

其他步骤见：

图 12 直至 15

#### 提示

- 旋开时，自动清洁过滤器并且移除脏污。
- 根据过滤袋上的标记重新装上长效过滤器并且完全拧紧，直到无法再看到红色保险杠。

#### 注意

- 如果可以看到红色保险杠，则过滤袋无法装入设备中。  
因此，继续旋紧过滤器封罩，直到止挡处。
- 只能将干燥的长效过滤器安装到设备中。

### 更换排气过滤器

**推荐：** 为了保障良好的过滤效果，每年更换一次排气过滤器。

图 16

- 沿着设备边斜向上取下排气过滤器盖板。
- 压紧两侧排气过滤器并取下。
- 装上新的排气过滤器并锁止。
- 在设备边缘装上排气过滤器盖板，向下推并且锁止。

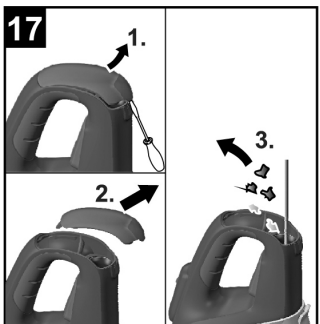
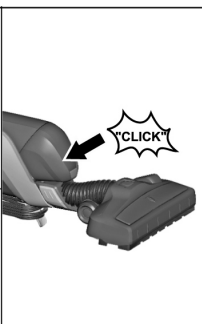
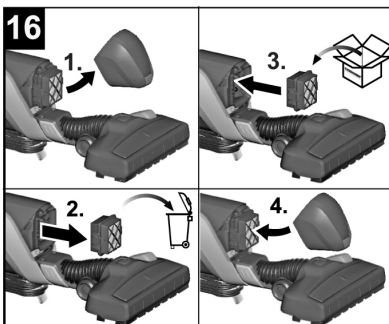
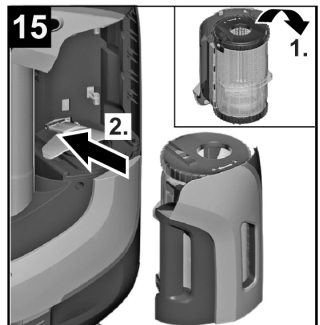
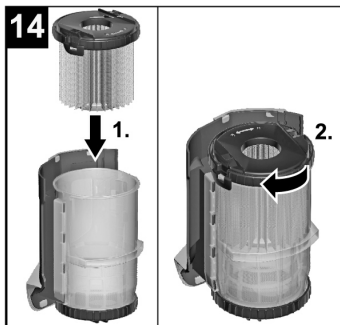
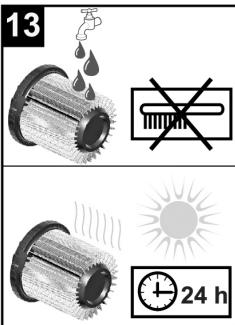
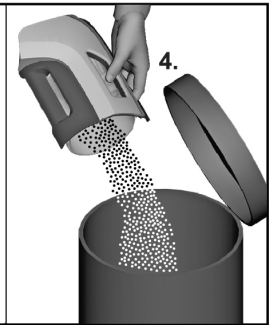
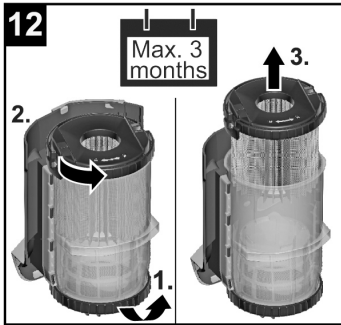
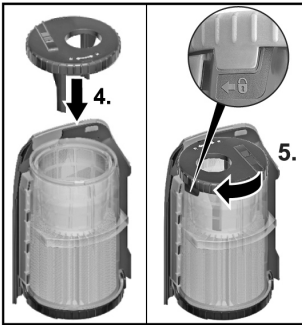
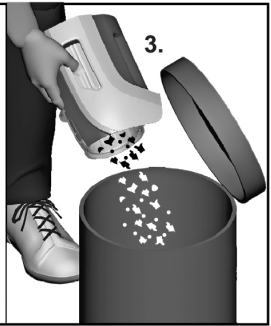
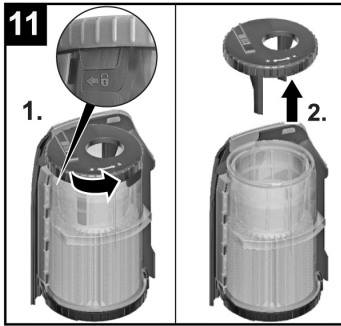
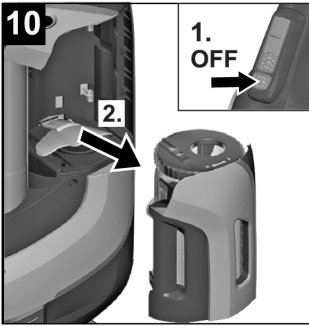
## 故障帮助

有以下原因可能造成吸尘功率减弱：

→ 配件中堵塞：使用狭长的工具小心清理堵塞。

图 17

- 伸缩吸管中堵塞：用螺丝刀撬开手柄上的盖板并且用一个狭长的工具小心地取下。
- 检查过滤器是否已满或受损。  
参见“保养与维护”章节。



**产品规格 / 参数**

电压	220-240	V
频率	50-60	赫兹
保险丝（慢断型）	10	A
保护等级	II	
重量（不含附件）		
带地面吸嘴的设备	3,2	千克
活动半径		
VC 5	8,5	m
VC 5 Premium	10,0	m
外形尺寸 （设备处于停放位置）	$\varnothing$ 182 x 261 x 621	毫米
接口外径，附件	35	毫米
声功率级 $L_{WA}$	77	A 级分 贝
额定输入功率	500	瓦

**规格若有变更，恕不另行通知。**

# 保修卡

尊敬的用户：

非常感谢您选用 Kärcher 公司产品，我们愿竭力为您提供优质的服务。《保修卡》是保修产品的重要凭证，请您仔细填写此卡并妥善保管。如产品需要维修时，请提供此保修卡和发票原件。

购买日期：\_\_\_\_\_ 产品型号：\_\_\_\_\_

用户电话：\_\_\_\_\_ 产品序列号：\_\_\_\_\_

用户地址：\_\_\_\_\_ 经销商盖章：\_\_\_\_\_

服务热线：400-880-1060

服务邮箱：service@karcher.cn

官网地址：www.karcher.cn



扫一扫  
关注官方微信



扫一扫获取  
更多服务商信息

# KÄRCHER

makes a difference

《保修卡》涂改无效，遗失不补。

# 保修条款

本条款所属内容是依据《中华人民共和国消费者权益保护法》、《中华人民共和国产品质量法》及其它相关规定编写，仅适用于Kärcher公司在中国大陆销售的家用系列产品。

为了维护您的合法权益，请在购机时索要发票（即财税部门统一监制的发票）及相关凭证。

1. 本产品在正确使用、操作的情况下，如产品确实存在由于材料、设计和制造引起的质量问题，本公司提供保修，自购机之日起，保修期为12个月。
2. 用户申请保修服务时，需携带有效发票原件及保修卡原件，将产品及原装附件一起送至Kärcher授权服务点进行维修。
3. 如果下述任何一种情况发生，消费者将不能享受保修服务（即本保修条款不予适用），但可享受Kärcher公司授权之服务点提供的有偿服务：
  - 1) 超过保修有效期的；
  - 2) 无有效发票原件或保修凭证的，或保修凭证（或发票）与产品实物不符，或保修凭证（或发票）经涂改的；
  - 3) 非按产品使用说明书要求使用、维护、保养产品而造成损坏的；
  - 4) 产品的自然磨损及易损易耗件（包括但不限于外壳、高压管、密封件、喷枪、喷嘴、单向阀、柱塞、吸尘管、刷子、扒头、过滤器、尘袋、传动皮带、齿轮、电池等）；
  - 5) 产品售出后由于运输或搬运造成损坏的；
  - 6) 未经Kärcher公司同意而对产品自行拆卸或自行修理而造成损坏的；
  - 7) 因电压、水源、使用环境不当而导致故障的；
  - 8) 因使用不正确的清洁介质而造成故障的；
  - 9) 由于不可抗力等自然因素造成故障的；
  - 10) 一切未经Kärcher公司许可对产品进行改造的；
  - 11) 产品无原厂标识，或原厂标识上的订货号、序列号与Kärcher公司所提供的产品订货号、序列号不一致的；
  - 12) 其它因用户原因造成产品故障的。
4. Kärcher公司的家用产品只适用于家庭用途，凡用于非家庭场所，如商用或工业用途等的，将不能享受免费保修服务。
5. 往返Kärcher授权服务点的一切费用由用户自行承担（销售时，经销商有另外承诺的除外），家用系列产品不提供免费上门保修服务。
6. 保修期内，所有因维修被替换下来的零件、部件和附件等归Kärcher公司所有。
7. 保修期内，如所维修的部件已停产或淘汰，Kärcher公司有权使用同档次或更高档次的产品进行替换。
8. Kärcher公司对产品的保修义务，无论本保修条款或其它书面说明可能隐含或默认的保修义务，都应当被理解为已经包含在本保修条款所列的保修范围和保修期限内。
9. 保修期内，用户按本保修条款享受保修服务，此为用户因产品缺陷所受损失的唯一补救措施；换言之，Kärcher公司对用户的其它直接或间接损失（包括但不限于数据的丢失、期待的利益等）不承担任何责任。
10. Kärcher公司的经销商或其代理人以及Kärcher公司授权的服务点均无权代表Kärcher公司承担超出本保修条款范畴的义务，亦无权放弃Kärcher公司在本保修条款下的任何权力。
11. 中国有关法律的强制性规定适用于本保修条款。
12. Kärcher公司保留调整有关保修信息、产品功能及规范等的权利，恕不另行通知。

凯驰（上海）清洁系统有限公司  
2016年08月16日

## Contents

General notes	EN	3
Safety instructions	EN	3
Description of the Appliance	EN	6
Operation	EN	8
Care and maintenance	EN	10
Troubleshooting	EN	10
Technical specifications	EN	10

## General notes



Before using your appliance for the first time, read these original operating instructions, act in compliance with them, and keep them for later use or for subsequent owners.

## Proper use

This universal vacuum cleaner is intended for the private use at home and not for commercial purposes. The manufacturer is not liable for any damage that may occur on account of improper use or wrong operation. Use the universal vacuum cleaner only with:

- Original filters
- Original spare parts, accessories and special accessories.

The universal vacuum cleaner is **not** suitable for:

- Vacuuming off human beings or animals.
- Vacuuming up:
  - Small living creatures (e.g. flies, spiders, etc.).
  - Substances that are harmful for health, have sharp edges, are hot or glowing.
  - Moist or liquid substances.
  - Easily inflammable or explosive substances and gases.

## Environmental protection



The packaging material can be recycled. Please do not place the packaging into the ordinary refuse for disposal, but arrange for the proper recycling.



Old appliances contain valuable materials that can be recycled. Please arrange for the proper recycling of old appliances. Please dispose your old appliances using appropriate collection systems.

Electrical and electronic devices often contain components which could potentially pose a danger to human health and the environment if handled or disposed of incorrectly. However, these components are necessary for the proper operation of the device. Devices marked with this symbol must not be disposed of with regular household rubbish.

## Disposal of filters

The filters are made from environmentally friendly materials.

They can therefore be disposed off through the normal household garbage provided you have not sucked in substances that are not permitted to be thrown into household garbage.

## Notes about the ingredients (REACH)

You will find current information about the ingredients at:

[www.kaercher.com/REACH](http://www.kaercher.com/REACH)

## Warranty

The warranty terms published by the relevant sales company are applicable in each country. We will repair potential failures of your appliance within the warranty period free of charge, provided that such failure is caused by faulty material or defects in manufacturing. In the event of a warranty claim please contact your dealer or the nearest authorized Customer Service centre. Please submit the proof of purchase.

## Customer Service

Our KÄRCHER branch will be pleased to help you further in the case of questions or faults. See address on the reverse.

## Spare parts

Only use original accessories and spare parts, they ensure the safe and trouble-free operation of the device. For information about accessories and spare parts, please visit [www.kaercher.com](http://www.kaercher.com).

## Safety instructions

- *Please read the operating instructions for your machine before using it, and pay particular attention to the following safety instructions.*
- *Warning and information plates on the machine provide important directions for safe operation.*
- *Apart from the notes contained herein the general safety provisions and rules for the prevention of accidents of the legislator must be observed.*

## Hazard levels

### **DANGER**

*Pointer to immediate danger, which leads to severe injuries or death.*

### **WARNING**

*Pointer to a possibly dangerous situation, which can lead to severe injuries or death.*

### **△ CAUTION**

*Pointer to a possibly dangerous situation, which can lead to minor injuries.*

### **ATTENTION**

*Pointer to a possibly dangerous situation, which can lead to property damage.*

## **Electric components**

### **△ DANGER**

*Risk of electric shock.*

- *Turn off the appliance and remove the mains plug prior to any care and maintenance works.*
- *Repair work and work on the electrical components may only be performed by an authorised customer service.*
- *Check the power cord with mains plug for damage prior to every use. Immediately have damaged power cord replaced by an authorised customer service / electrician. Do not operate an appliance if the power cord is damaged.*
- *Do not use scouring agents, glass or multi-purpose cleaners!*
- *Do not immerse the appliance into water!*
- *Do not carry / transport the appliance on the mains cable.*
- *Do not scrape the power cord across sharp edges and ensure that it does not get pressed.*
- *Do not remove the mains plug from the socket by pulling on the power cord.*

### **△ WARNING**

- *The appliance may only be connected to an electric supply that has been installed by an electrician in accordance with IEC 60364.*
- *The appliance may only be connected to alternating current. The mains voltage must correspond with the voltage indicated on the type plate.*
- *For safety reasons, we recommend that you operate the appliance only via a residual current device (max. 30 mA).*
- *Completely pull the power cord out of the appliance or completely uncoil it upon operation.*

## **Safe handling**

### **△ DANGER**

- *Keep packaging films away from children, there is a risk of suffocation!*

### **△ WARNING**

- *The appliance must not be operated by children or persons who have not been instructed accordingly.*
- *This appliance is not intended for use by persons with limited physical, sensory or mental capacities or lacking experience and/or skills, unless such persons are accompanied and supervised by a person in charge of their safety or they have received precise instructions on the use of this appliance and have understood the resulting risks.*



- *Children may only use this appliance if they are over the age of 8 and supervised by a person in charge of their safety, or if they have received instructions on the use of this appliance and have understood the resulting risks.*
- *Children must not play with this appliance.*
- *Supervise children to prevent them from playing with the appliance.*
- *Cleaning and user maintenance must not be performed by children without supervision.*

**⚠ CAUTION**

- *In case of extended breaks, switch the appliance off at the main switch / appliance switch or pull the mains plug.*
- *Never leave the appliance unattended as long as it is in operation.*
- *Switch off the appliance after every use and prior to every cleaning / maintenance and pull the mains plug.*

**ATTENTION**

- *Never vacuum without a filter, otherwise the appliance can get damaged.*
- *Protect the appliance from extreme weather conditions, moisture and heat.*

**Other risks**

**⚠ DANGER**

*Risk of explosion!*

- *The appliance may not be operated in explosive atmospheres.*
- *Do not vacuum up explosive or combustible gases, fluids and dusts!*
- *Do not vacuum up reactive metal dusts (e.g. aluminium, magnesium or zinc!)*
- *Do not vacuum up undiluted acids or brines!*
- *Do not vacuum up burning or smouldering objects!*

**⚠ WARNING**

*Risk of injury!*

- *Do not vacuum in the vicinity of the head when using the nozzle and suction pipe.*

**⚠ CAUTION**

- *In order to prevent accidents or injuries, mind the weight of the appliance during transport (see technical data).*

**Stability**

**⚠ CAUTION**

- *Create stability for the appliance prior to any work on or with the appliance to prevent accidents or damage.*

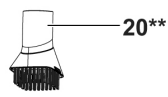
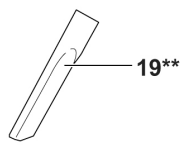
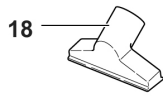
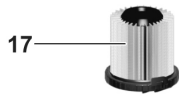
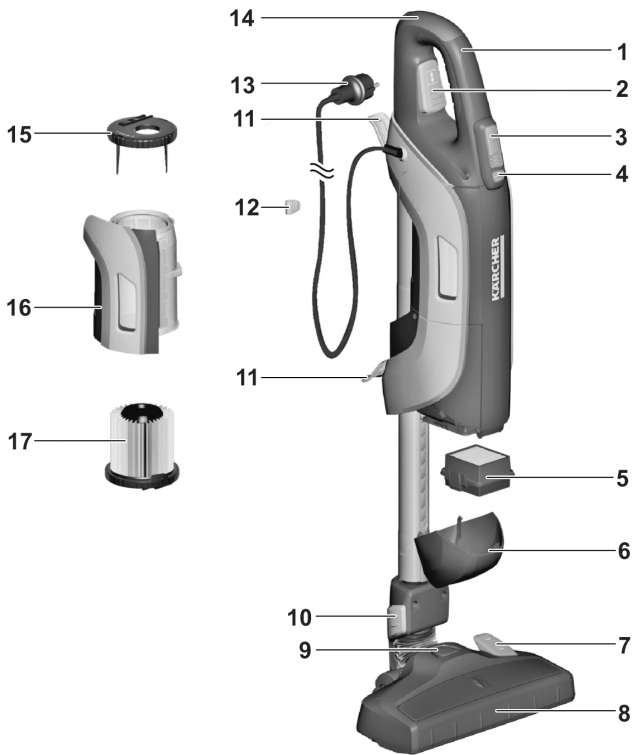
**Safety Devices**

**⚠ CAUTION**

- *Safety installations serve the protection of the user and may not be modified or bypassed.*

## Description of the Appliance

- 1 Handle
- 2 Adjustable telescopic suction pipe
- 3 Suction control
- 4 On/Off button
- 5 Exhaust filter
- 6 Exhaust filter cover
- 7 Shift button
- 8 Floor nozzle
- 9 Parking position
- 10 Unlocking the floor nozzle
- 11 Cable hook
- 12 Cable clip
- 13 Power cord with plug
- 14 Telescopic suction pipe cleaning opening
- 15 Main filter lock
- 16 Filter box
- 17 Long life filter with lock
- 18 Upholstery nozzle
- 19 Crevice nozzle
- 20 Furniture brush



**\*\* VC 5 Premium**

## Start up

Figures **1** to **5**

### Cable hooks

Illustration **3**

- Both cable hooks can be folded out.
- The lower cable hook can be rotated upwards to enable quick cable removal.

### Adjusting the telescopic suction pipe

Illustration **4**

- If the device is parked in the parking position, first release the parking position.
- In order to do this, hold the floor nozzle still with your foot and tip the device backwards slightly.
- Hold the button down and adjust the suction pipe to the desired length.

### Setting the vacuum cleaning performance

Illustration **5**

#### Note

The desired suction power can be set individually by sliding the suction control.

- **Level 1 and 2: Low suction range**  
For vacuuming sensitive materials and light components, such as upholstered furniture, rugs, cushions, curtains, etc.
- **Level 3: Medium suction range**  
For daily vacuuming of lightly soiled surfaces and for cleaning low-pile carpets.
- **Level 4: High suction range**  
For vacuuming durable floor coverings, hard floors, high-pile carpets and heavily soiled surfaces.

**Important notice!** The device will shut down automatically if there is risk of overheating. Turn the device off and pull out the mains plug. Make sure, that the nozzle and suction pipe are not clogged, and that the filter does not need changing. After eliminating the fault, allow the device to cool down for a at least 1 hour; then the device will be ready for operation again.

## Adjusting the floor nozzle

Illustration **6**

- |                        |                                    |
|------------------------|------------------------------------|
| → <b>Hard surfaces</b> | → <b>Carpets / carpeted floors</b> |
|------------------------|------------------------------------|



## Using accessories

Illustration **7**

- **Upholstery nozzle:** for cleaning upholstered furniture, mattresses, laced curtains, etc.
- **Crevice nozzle:** for edges, joints and heaters
- **Furniture brush:** for gentle cleaning of furniture and delicate objects, such as books, etc.

## Finish operation

Illustration **8**

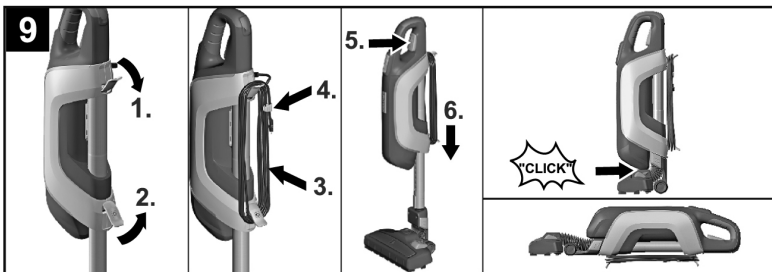
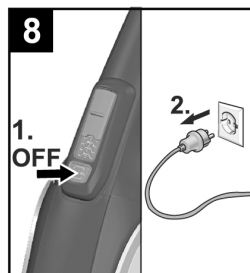
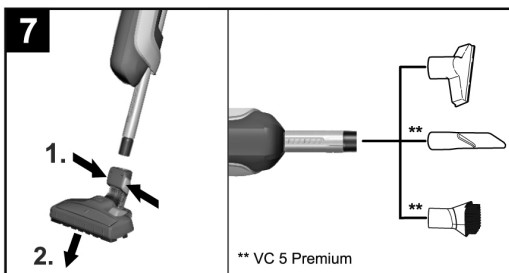
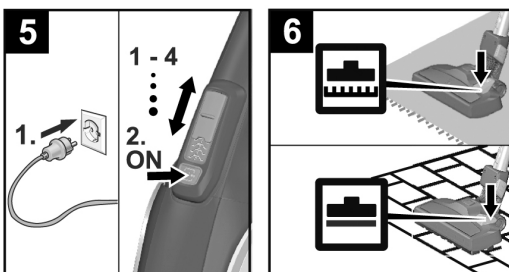
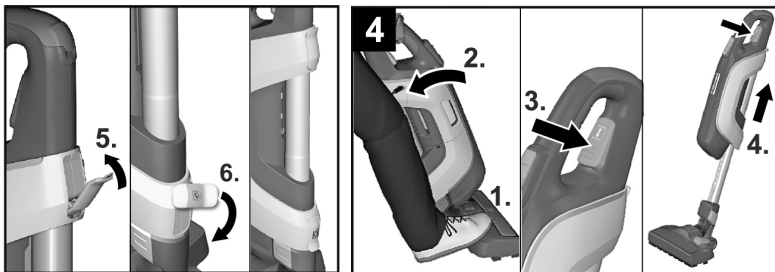
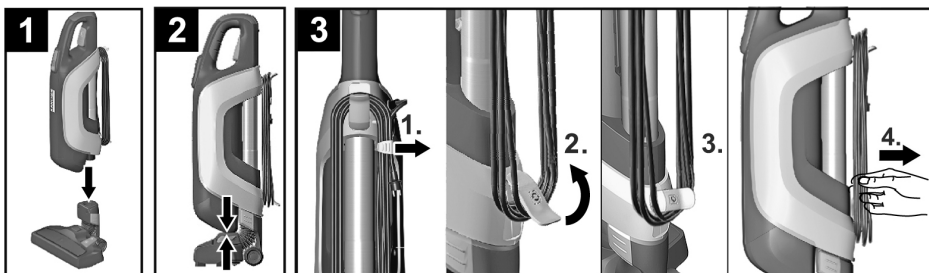
## Transport, storage

Illustration **9**

- Roll-up the cable.
- Engage the device (telescopic pipe is not extended) in parking position on the floor nozzle.
- The device can also be stored in a horizontal position, for example on a shelf in a cupboard.

#### Note

Store the appliance in a dry room.



## Care and maintenance

### Emptying the main filter

**Recommendation:** Empty main filter after every use.

For rest of procedure see:

Figure 10 to 11

#### Note

→ When you unscrew it, the filter is automatically cleaned and the dirt is removed.

### Emptying long life filter

**Recommendation:** Remove long life filter at the latest every 3 months, empty them and clean them if necessary.

#### ATTENTION

*The amount that can be vacuumed up can vary depending on the vacuuming material.*

*For fine dust, in particular, emptying may be necessary earlier.*

In order to ensure good filtration, replace long life filter with new filter every 2 years.

For rest of procedure see:

Figure 12 to 15

#### Notes

- When you unscrew it, the filter is automatically cleaned and the dirt is removed.
- Reinsert the long life filter in the filter box according to the marking and screw it in completely until the red safety rod is no longer visible.

#### ATTENTION

- *If the red safety rod is still visible, the filter box cannot be inserted into the device.*

*The filter lock must therefore be screwed in all the way.*

- *Only install dry long life filters in the device.*

### Replacing exhaust filter

**Recommendation:** In order to ensure good filtration, replace the exhaust filter once a year.

Illustration 16

- Remove the exhaust filter cover upwards at an angle along the edge of the device.
- Press the exhaust filter together on both sides and remove.
- Attach a new exhaust filter and lock in place.
- Place the exhaust filter cover on the edge of the appliance, push it downwards and lock in place.

## Troubleshooting

Reduced suction performance can be caused by:

- Blockage in accessories: Remove the blockage carefully with a narrow tool.

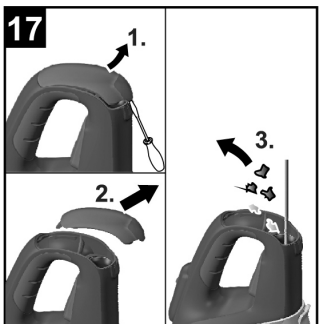
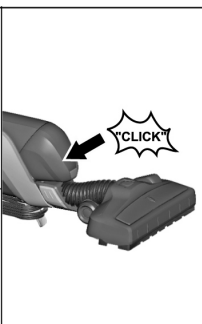
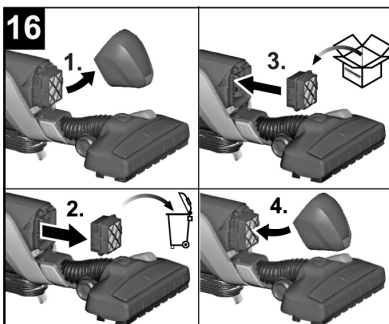
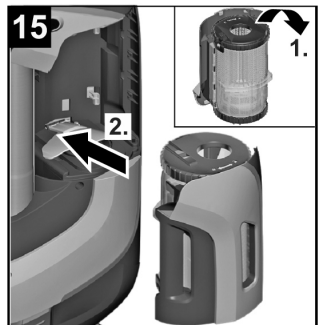
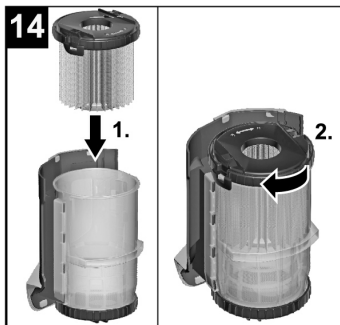
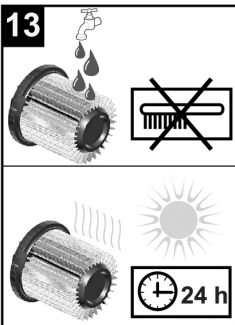
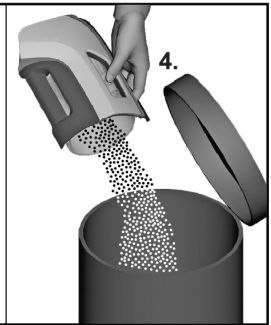
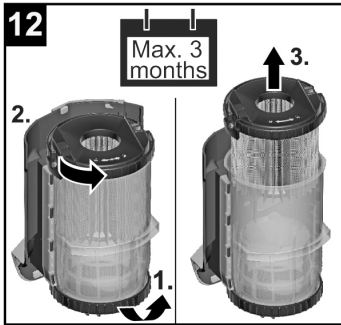
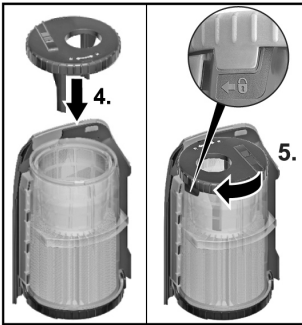
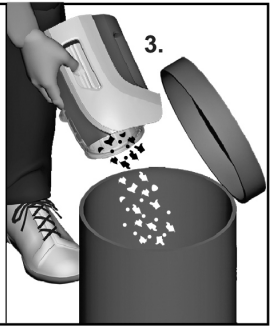
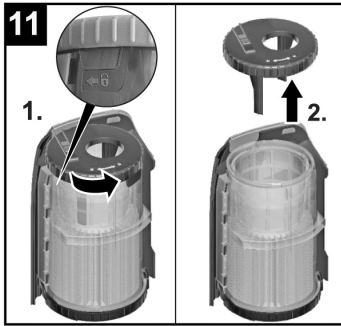
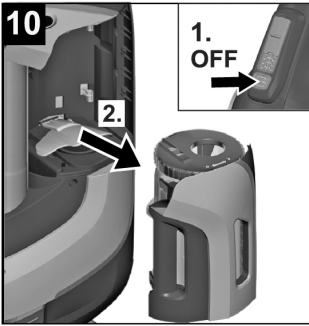
Illustration 17

- Blockage in telescopic suction pipe: Lever the cover on the handle off with a screwdriver and then remove the blockage carefully with a narrow tool.
- Check to see whether the filters are intact or damaged.  
See chapter "Care and Maintenance".

## Technical specifications

Voltage	220-240	V
Frequency	50-60	Hz
Mains fuse (slow-blow)	10	A
Protective class	II	
Weight (without accessories)		
Device with floor nozzle	3,2	kg
Action radius		
VC 5	8,5	m
VC 5 Premium	10,0	m
Dimensions (Device in parking position)	ø 182 x mm 261 x 621	
Nominal width, accessories	35	mm
Sound power level L <sub>WA</sub>	77	dB(A)
Rated power input	500	W

**Subject to technical modifications!**





**[www.kaercher.com/dealersearch](http://www.kaercher.com/dealersearch)**

**Alfred Kärcher SE & Co. KG**  
Alfred-Kärcher-Str. 28-40  
71364 Winnenden (Germany)  
Tel.: +49 7195 14-0  
Fax: +49 7195 14-2212

